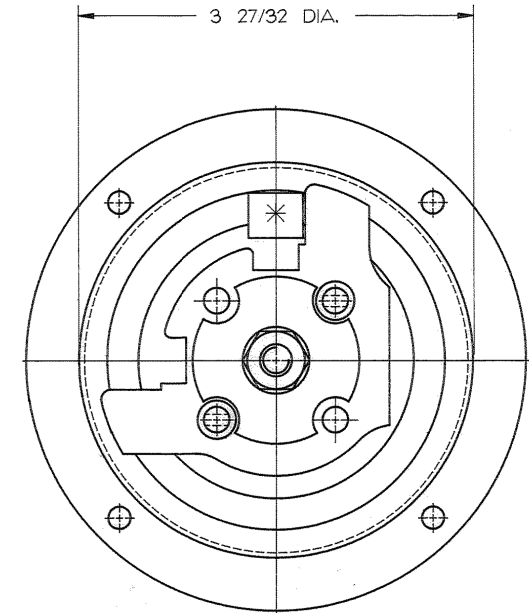
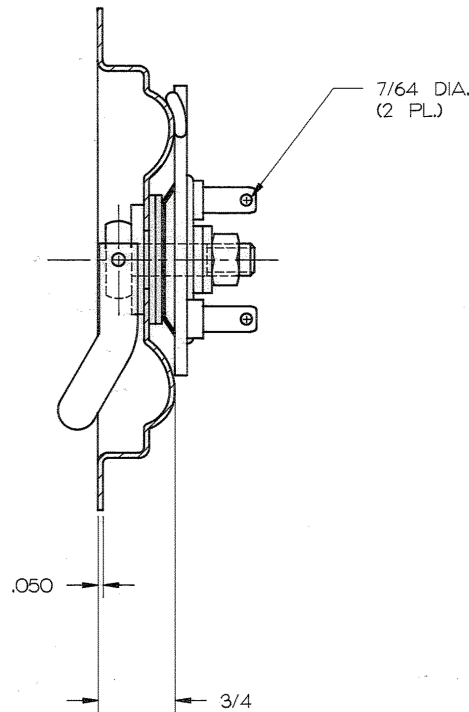
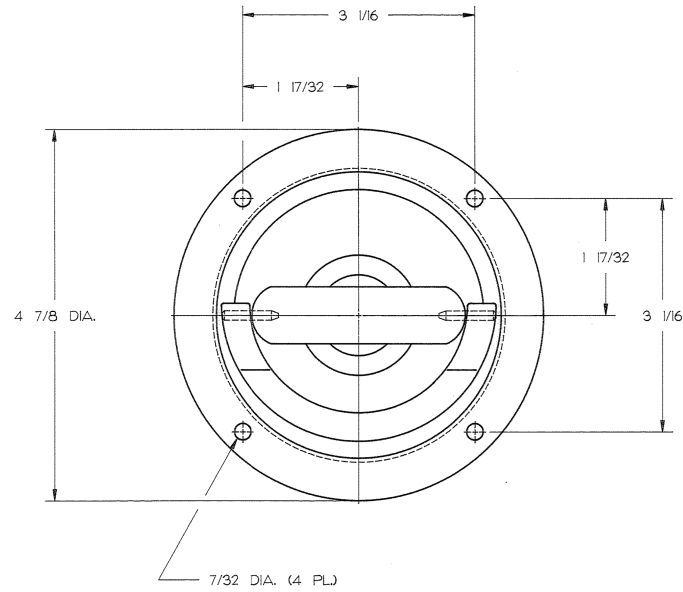


APPROVAL - CUSTOMER NAME & SIGNATURE

DATE



NOTES:

- 1) #283084 - WASHER KIT INCLUDED IN ASSY.
- 2) FINISH : POLISH & BUFF.

ALLEGIS		1-866-378-7550
MATERIAL:	Stainless Steel	DRAWING NO. : 102S-50 SS
FINISH:		
REV.:	1:1	DATE: 6/12/2019